

**DMP**

---

**Small Size.  
Strong Core.  
Smart Control.**



# The Processors



**Intel® 13th Gen Core™ i5-1335U** is a high-performance, power-efficient processor with strong multi-core computing and graphics capabilities. It excels in industrial automation, smart retail, digital signage, and edge computing, delivering reliable performance in embedded systems.

**Tiger Lake** is a versatile embedded platform designed for compact, high-performance systems. It delivers efficient multi-core processing, robust graphics, and wide connectivity, supporting applications such as industrial automation, digital signage, smart retail, and IoT edge devices.

**Elkhart Lake** is a low-power, multi-core embedded platform designed for reliable performance in compact systems. It offers stable operation, rich I/O, and extended temperature support, making it ideal for kiosks, digital signage, industrial automation, and IoT edge applications.

**Braswell** is the multicore system-on-a-chip based on Intel's latest microarchitecture and 14nm process technology. It's built for designs that target entry-level 2-in-1 devices, laptops, desktops, and all-in-one PCs.

**Apollo Lake** is the multicore system-on-a-chip which empowers real-time computing in digital surveillance, new in-vehicle experiences, advancements in industrial and office automation, new solutions for retail, medical, and more. Utilizing Intel's industry-leading 14nm process technology.

Code Name	Intel® Core™ i5	Tiger Lake	Elkhart Lake	Braswell		Apollo Lake	
Processor Number	i5-1335U	i5-1335G7	J6412	N3160	X5-8000	J3455	N3350
Product Collection	Intel® Core™ i5 Processor		Atom	Celeron	Atom	Celeron	
Clock Speed	1.3 GHz	2.4 GHz	2.0 GHz	1.6 GHz	1.04 GHz	1.5 GHz	1.1 GHz
Burst Speed	4.6 GHz	4.2 GHz	2.6 GHz	2.24 GHz	2.0 GHz	2.3 GHz	2.4 GHz
# of Cores	10	4	4	4	4	4	2
OS Support	Windows 11 & IoT, Windows 10 & IoT, Linux			Windows 10 & IoT, Linux			
TDP	15W	15W	6W	6W	5W	10W	6W
Passmark Score	14113	9727	4710	1666	1568	2108	879



**i.MX8M Mini** is NXP's first embedded multicore application processor built using advanced 14LPC FinFET process technology, providing more speed and improved power efficiency. Backed by NXP's product longevity program, the i.MX8M Mini family can be used in any general purpose industrial and IoT applications.

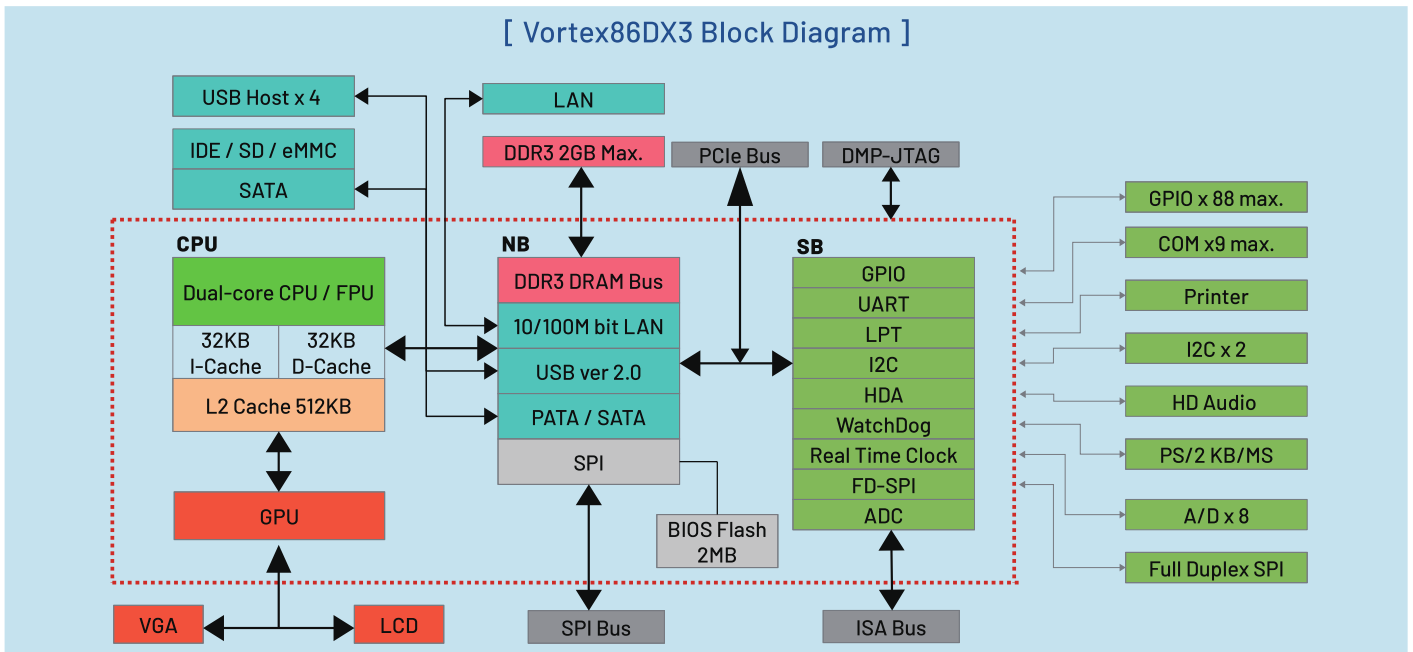
Code Name	NXP i.Mx8M Mini	
Core	Cortex-A53 1.6GHz	
# of Cores	4	
GPU	GCNono Ultra for 3D, GC320 for 2D	
VPU	Decode 1080p60, H.265, H.264/Encode 1080p60, H.264	
RAM, LPDDR4	1GB/2GB/4GB	
eMMC	8 ~ 64GB, SLC/MLC	
OS Support	Yocto Linux, Android	
Working Temperature	0~60°C	-40~+80°C



**Vortex86 DX** series includes the DX, DX2 and DX3. This family was originally designed for legacy x86 based applications that need traditional buses such as ISA, PCI, etc.; in the newest DX3 line, the system now utilizes an optional dual-core and also enriches the I/O interface, GPU, SATA and PCIe for legacy applications to take advantage of new technologies. The -40 to 85 °C wide temperature and 15+ year life cycle guarantee had consistently supported a variety of industrial applications for decades.



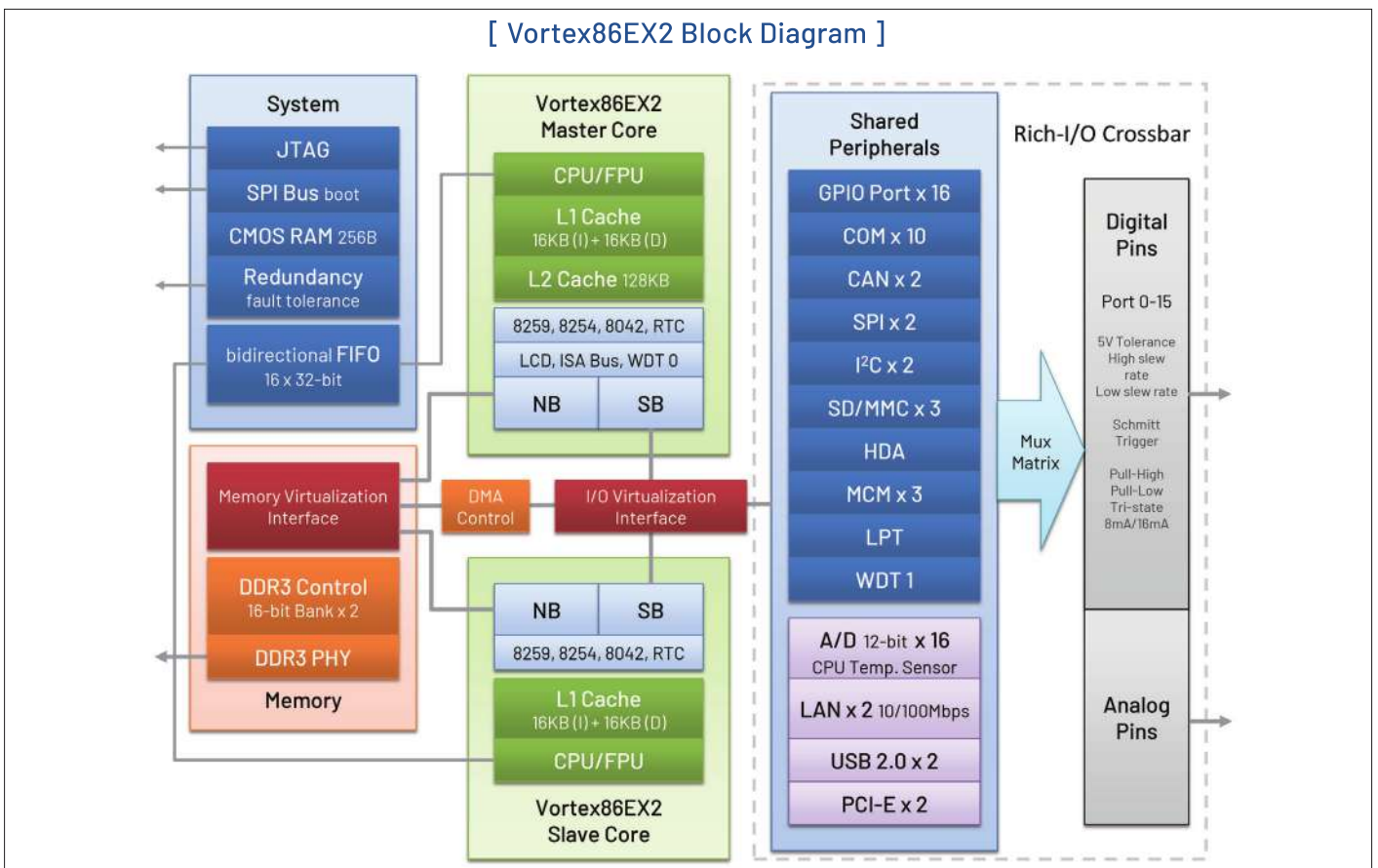
[ Vortex86DX3 Block Diagram ]



**Vortex86 EX** series includes the EX, EX2, and the upcoming EX3 in 2023. This tiny and low power consumption line of processors is equipped with a crossbar switch that allows for plenty of I/O for IoT, automation, and industrial applications. And for real-time applications, the current EX2 two-core CPU uses a Primary and Secondary core that can run different OS concurrently, making a system that can process in real-time while utilizing a dedicated CPU core.



[ Vortex86EX2 Block Diagram ]



# OS Support List

Braswell E8000/N3160	Win 10 Win 10 IoT	Win 7 WES7	Ubuntu 16.04~24.04	Debian 9~12	MX Linux		Manjaro Xfce		Linux Mint 20.2~21.2	OpenSUSE 15.3	Fedora 35~39	TinyCore 9.0~12.0	Android -x86	QNX 6.5	
					21	23.1~23.6	21.1	23.04							
UEFI BIOS	✓	X	✓	✓	✓	✓	✓	✓	✓	✓	✓	X	✓	X	
Legacy BIOS	X	✓	✓	✓	X	✓	X	✓	✓	✓	✓	✓	✓	✓	
Apollo Lake N3350/J3455	Win 10 Win 10 IoT	Win 7 WES7	Ubuntu 16.04~24.04	Debian 9~12	MX Linux		Manjaro Xfce		Linux Mint 20.2~21.2	OpenSUSE 15.3	Fedora 35~39	TinyCore 9.0~12.0			
					21	23.1~23.6	21.1	23.04							
UEFI BIOS	✓	X	✓	✓	✓	✓	✓	✓	✓	✓	✓		X		
NXP I.MX8M Mini		Android 10		Android 9		Yocto 4.0 (Kirkstone)		Yocto 3.3 (Hardknott)		Yocto 3.0 (Zeus)		Yocto 2.5 (Sumo)			
EBOX-IMX8MM		✓		✓		✓		✓		✓		✓			
Windows platform			Intel® Core™ i5-1335U Tiger Lake i5-1135G7 Elkhart Lake J6412			Braswell E8000/N3160		Apollo Lake N3350/J3455		336x 335xDX3 DIN PC-336x		3350EX 3100-VGA		3310MX	
Windows 11			✓			X		X		X		X		X	
Windows 11 IoT			✓			X		X		X		X		X	
Windows 10			✓			✓		✓		X		X		X	
Windows 10 IoT			✓			✓		✓		X		X		X	
Windows 7			X			✓		X		✓		X		X	
WES7			X			✓		X		✓		X		X	
Windows XP			X			X		X		✓		✓		✓	
WES2009			X			X		X		✓		✓		✓	
CE 6.0			X			X		X		✓		✓		✓	
Compact 7			X			X		X		✓		✓		✓	
Linux platform			Default Kernel		3100		336x 335xDX3 DIN PC-336x		3350EX 3100-VGA		3310MX				
Gentoo_4.2			3.1		⊗		●		N/A		N/A				
Ubuntu 12.04			3.2.0		⊗		● Non PAE Image only		● Non PAE Image only		⊗				
Ubuntu 10.04			2.6.32		⊗		●		●		●				
Ubuntu 9.04			2.6.28-11		⊗		●		⊗/●		●				
Lubuntu 18.04			4.15.18		⊗		●		●		N/A				
Lubuntu 16.04			4.4		⊗		●		●		N/A				
Debian 12 Xfce			6.1		⊗		●		⊗		N/A				
Debian 11 Xfce			5.1		⊗		●		⊗		N/A				
Debian 10			4.19		⊗		⊙		⊗		N/A				
Debian 9			4.9		⊗		⊙		⊗		N/A				
OpenSUSE 13.1			13.11.6-4		⊗		●		⊗		N/A				
Fedora 18			3.6.10-4		⊗		●		⊗		⊗				
Fedora 17			3.3.4-5		⊗		●		⊗		⊗				
CentOS 5.5			2.6.16		⊗		○		N/A		○				
TinyCore 12.0~9.0			5.10.3-4.14.10		⊗		●		●		●				
OpenBSD 7.2					N/A		●		N/A		NA				
QNX 6.5					⊗		●		●		●				

○ System needs to be transplanted from standard platform.

● The distribution can be installed from EBOX directly.

⊙ BIOS required Standard IDE Compatible enabled.

⊗ Not compatible.

# EBOX-RTL-1335U Series

Powered by 13th Gen Intel® Core™ i5-1335U processor, delivering up to 4.6GHz computing power. Supports dual-channel DDR5 4800MHz memory up to 64GB for enhanced bandwidth.

Offers multiple display outputs—HDMI, DP, and USB Type-C DP—supporting up to four simultaneous 4K HDR displays. Equipped with rich I/O including 2.5GbE LAN, RS232/422/485, SATA III, GPIO, and versatile M.2 slots with Nano SIM support.

## Features:

- Up to 4 simultaneous 4K HDR Displays
- LAN Ports: Max. 4 (10GbE x1/ 2.5GbE x4)
- COM1 & COM2 RS232/485/422
- COM3 & COM4 RS232
- COM5 ~ COM8 RS485/422, GPIO x1
- M.2 Slots: M/E/B+M/B-Key, Nano SIM
- Wall-mount & VESA-mount supported
- DC Jack power input +12V~36V

**Operating Temp.:** -20~+50°C

**Dimensions:** 193.2 x 140 x 67mm

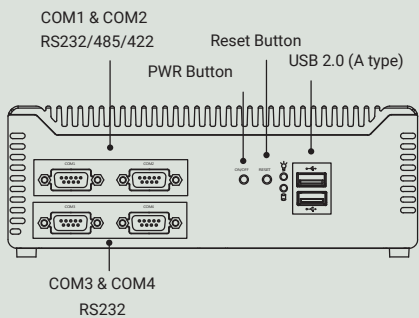


Model Types	CPU	RAM	Storage	I/O
EBOX-RTL-1335U w/COM x4	Intel® 13th Gen Core™ i5-1335U Quad-core 4.6GHz	8GB 16GB 32GB 64GB	M.2 M key x1 (2242/2280), PCIe Gen4x4 interface support NVMe SSD & *SATAIII x1	4S/6U/2.5GLAN x2 2HDMI/2DP/Type-C DP M.2/8GPIO/Audio
EBOX-RTL-1335U-C6 W/COM x6				6S/6U/2.5GLAN x2 2HDMI/2DP/Type-C DP 8GPIO/Audio
EBOX-RTL-1335U-MUX8 W/COM x8				8S/6U/2.5GLAN x2 2HDMI/2DP/Type-C DP 8GPIO/Audio
EBOX-RTL-1335U-L4 W/LAN x4				4S/6U/2.5GLAN x4 2HDMI/2DP/Type-C DP 8GPIO/Audio
EBOX-RTL-1335U-L3 W/LAN x3				4S/6U/2.5GLAN x3/10GLAN 2HDMI/2DP/Type-C DP 8GPIO/Audio

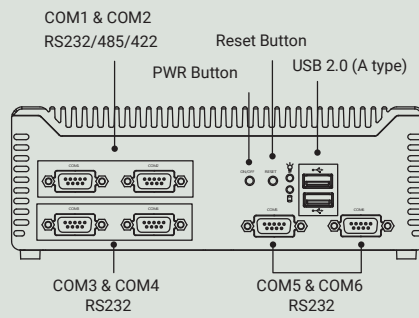
## Port Configuration

S=RS232/485/422; U=USB; GLAN=Giga LAN; \*=2.5" SATA SSD

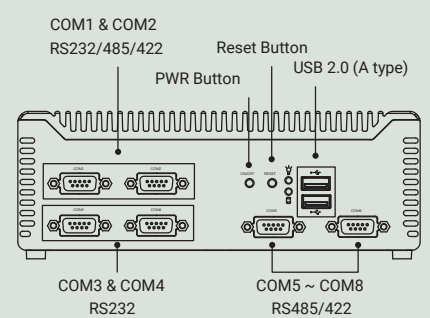
### EBOX-RTL-1335U Front



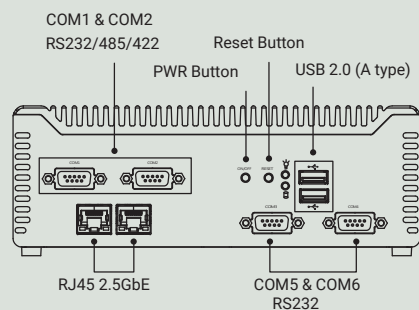
### EBOX-RTL-1335U-C6 Front



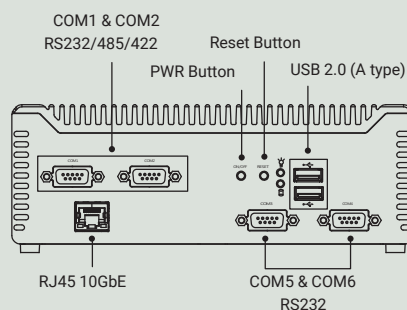
### EBOX-RTL-1335U-MUX8 Front



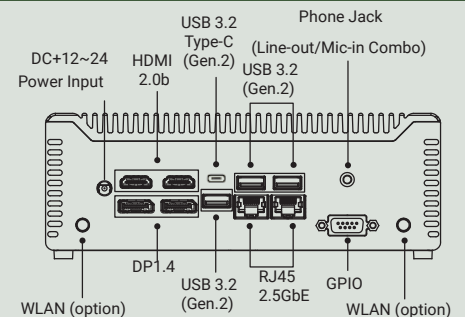
### EBOX-RTL-1335U-L4 Front



### EBOX-RTL-1335U-L3 Front



### EBOX-RTL-1335U Series Rear



# EBOX-TGL-35G7 Series

Powered by the Intel® Tiger Lake i5-1135G7 processor (2.40 GHz) supports up to 64 GB of DDR4-3200 dual-channel memory. With two HDMI 2.0 and two DisplayPort 1.4 outputs, it supports up to four 4K HDR or one 8K SDR display.

System including an M.2 M-key slot (2242/2280) that supports PCIe Gen.4 NVMe storage and an M.2 E-key (2230) slot with USB2.0/PCIe interface support for CNVi modules. Multiple I/O ports for four USB3.2 (Gen.2) Type-A ports, two USB2.0 Type-A ports, four COM ports and GPIO interface.

## Features:

- Multi-Display outputs,
- LAN Ports: Max. 4 (10GbE x1/ 2.5GbE x3/ 1GbE x1)
- COM1 & COM2 RS232/485/422
- COM3 ~ COM6 RS232
- M.2 M-key x1 (2242/2280) PCIe Gen4 x4
- M.2 E-key x1 (2230), USB2.0 / PCIe x1
- Wall-mount & VESA-mount supported
- DC Jack power input +12V~24V

Operating Temp.: -20~+60°C

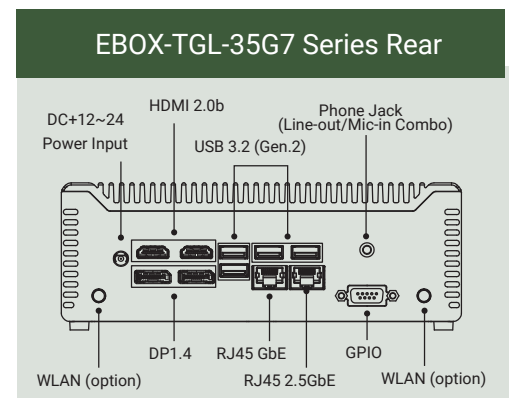
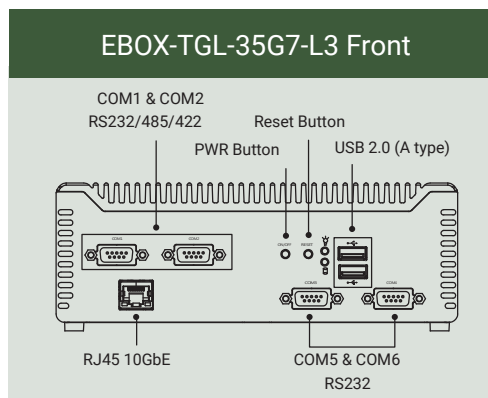
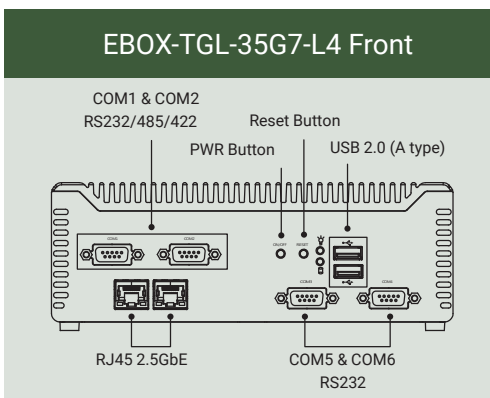
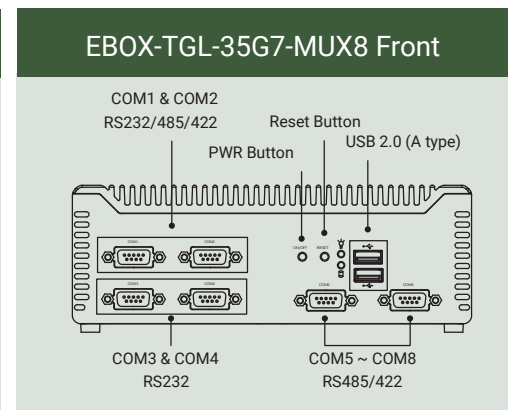
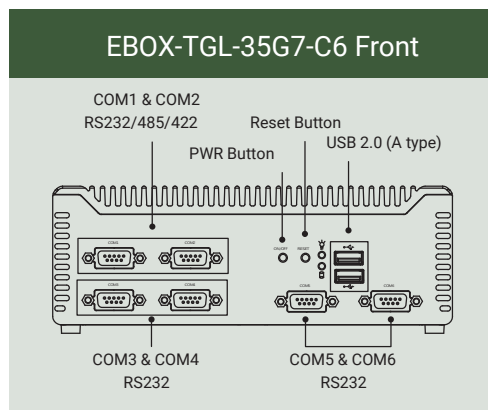
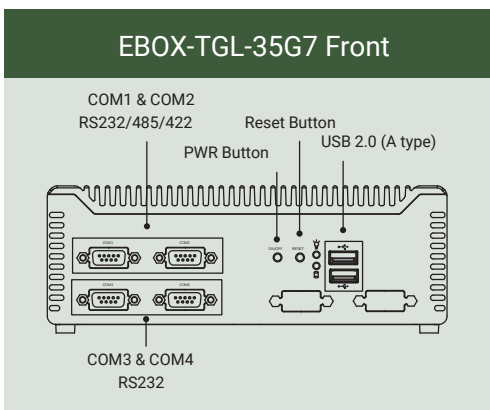
Dimensions: 193.2 x 140 x 67mm



Model Types	CPU	RAM	Storage	I/O
EBOX-TGL-35G7 w/COM x4				4S/6U/2.5GLAN, GLAN 2HDMI/2DP/M.2 8GPIO/Audio Standard
EBOX-TGL-35G7-C6 W/COM x6			M.2 M key x1 (2242/2280), PCIe Gen4x4	6S/6U/2.5GLAN, GLAN 2HDMI/2DP 8GPIO/Audio BTO
EBOX-TGL-35G7-MUX8 W/COM x8	Intel® Tiger Lake i5-1135G7 Quad-core 2.4GHz	8GB 16GB 32GB 64GB	interface support NVMe SSD & *SATAIII x1	8S/6U/2.5GLAN, GLAN 2HDMI/2DP 8GPIO/Audio BTO
EBOX-TGL-35G7-L4 W/LAN x4				4S/6U/2.5GLAN x3, GLAN 2HDMI/2DP 8GPIO/Audio BTO
EBOX-TGL-35G7-L3 W/LAN x4				4S/6U/2.5GLAN, GLAN 10GbE/2HDMI/2DP 8GPIO/Audio BTO

## Port Configuration

S=RS232/485/422; U=USB; GLAN=Giga LAN; \*=2.5" SATA SSD



# EBOX-EHL-6412 Series

EBOX-EHL-6412 Fanless Box PC equipped with Elkhart Lake J6412 quad-core 2.0GHz CPU, ensures reliable and efficient processing. It supports DDR4 3200MHz SO-DIMM memory up to 32GB and facilitates triple display setups with two HDMI 2.0 ports, one DP 1.4 port, each capable of 4K resolution. The unit features an M.2 M-key slot for PCIe Gen.3 x2/SATA interface support NVMe SSD storages and an additional M.2 E-key slot that further enhances connectivity options.

Dual Intel® i225-V 2.5GbE RJ45 ports (Built-in PXE diskless boot) provide high-speed networking, while a comprehensive set of USB 3.1 Gen2 ports offers extensive connectivity for peripherals. Additionally, COM and GPIO ports for expanded interfacing capabilities.

### Features:

- Multi-Display outputs, 2.5GbE x2 and x4
- COM1 RS232/485/422, GPIO x1
- M.2 M key x1 (2260/2280) PCIe Gen3x2
- M.2 E-key x1 (2230) USB2.0 / PCIe x1
- Fanless design, PXE diskless boot
- Wall-mount & VESA-mount supported
- DC Jack power input +12V~24V

Operating Temp.: -20~+60°C

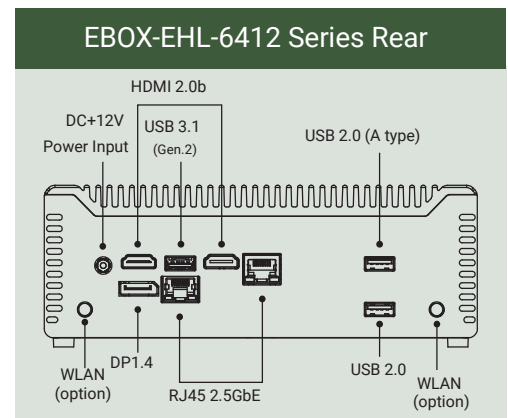
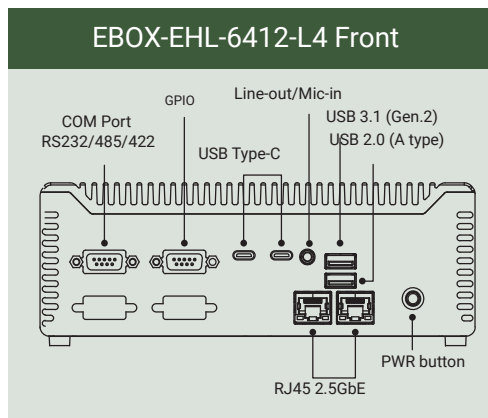
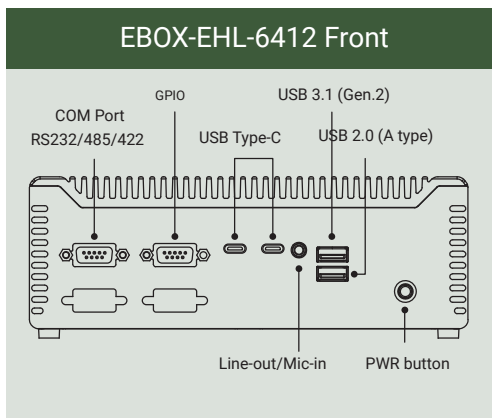
Dimensions: 193.2 x 108.8 x 67mm



Model Types	CPU	RAM	Storage	I/O
EBOX-EHL-6412	Intel® Elkhart Lake J6412	8GB 16GB 32GB	M.2 M key x1 (2260/2280), PCIe Gen3x2, SATA interface support NVMe SSD & *SATAIII x1	1S/4U/2.5GLAN x2 2HDMI/DP 8GPIO/Audio
EBOX-EHL-6412-L4 W/LAN x4	Quad-core 2.0GHz			1S/4U/2.5GLAN x4 2HDMI/DP 8GPIO/Audio

S=RS232/485/422; U=USB; GLAN=Giga LAN; \*=2.5" SATA SSD

### Port Configuration



- Wall-mount support



- VESA-mount support



# EBOX-58 Series



### Features:

AMI UEFI BIOS (Legacy mode switchable)  
 M.2 2230 E Key support  
 Dual GLAN, Dual RS-232/485  
 Auto Power On/PXE Diskless Boot  
 Fanless design/DIN Rail support  
 100 x 100mm VESA support

Operating Temp.: 0~60°C

Dimensions: 115 x 115 x 35mm



Model Types	CPU	RAM	Storage	I/O
EB-58E w/o COM	Intel® Atom x5-E8000 Quad-core 1.04GHz	4GB 8GB	SATA DOM*	4U/HDMI 1GLAN
EB-58E w/o COM, w/Dual GLAN			Micro SD	Mic-in/Line-out/M.2 2GLAN
EB-58E w/Dual RS-232/485			SATA DOM	2S/4U/HDMI 1GLAN
EB-58E w/Dual RS-232/485, Dual GLAN			Micro SD	Mic-in/Line-out/M.2 2GLAN
EB-58N w/o COM	Intel® Celeron N3160 Quad-core 1.6GHz	4GB 8GB	SATA DOM*	4U/HDMI 1GLAN
EB-58N w/o COM, w/Dual GLAN			Micro SD	Mic-in/Line-out/M.2 2GLAN
EB-58N w/Dual RS-232/485			SATA DOM	2S/4U/HDMI 1GLAN
EB-58N w/Dual RS-232/485, Dual GLAN			Micro SD	Mic-in/Line-out/M.2 2GLAN

### Features:

AMI UEFI BIOS (Legacy mode switchable)  
 M.2 2230 E Key support, Dual GLAN,  
 RS-485 x4 with 8pin terminal block (opto isolated x2)  
 DC In +15V~56V Lockable Terminal Block Connector  
 Auto Power On/PXE Diskless Boot  
 Fanless design/DIN Rail support  
 100 x 100mm VESA support

Operating Temp.: 0~60°C

Dimensions: 115 x 115 x 48mm



Model Types	CPU	RAM	Storage	I/O
EB-58E-L2T4F-AP	Intel® Atom x5-E8000 Quad-core 1.04GHz	4GB 8GB	SATA DOM*	4S/2U/HDMI GLAN x2/M.2
EB-58N-L2T4F-AP	Intel® Celeron N3160 Quad-core 1.6GHz	4GB 8GB	SATA DOM*	4S/2U/HDMI GLAN x2/M.2

S=RS-232/485; U=USB; GLAN=Giga LAN; \*=2.5" SATA HDD/SSD

## Target Applications



### Internet of Things

Environmental Monitoring  
 Inventory management  
 Data collection system  
 Building automation



### Access control

Bio-metric access control  
 Database access control  
 Remote desktop control  
 Residential Security



### Stand-alone PCs

General Productivity  
 Financial Management  
 Networking and Server  
 Data Analysis

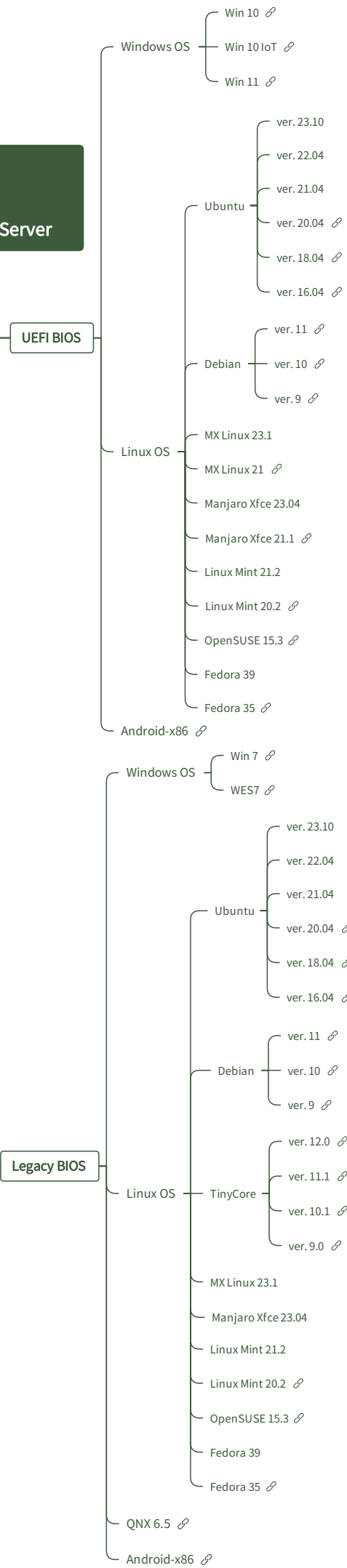
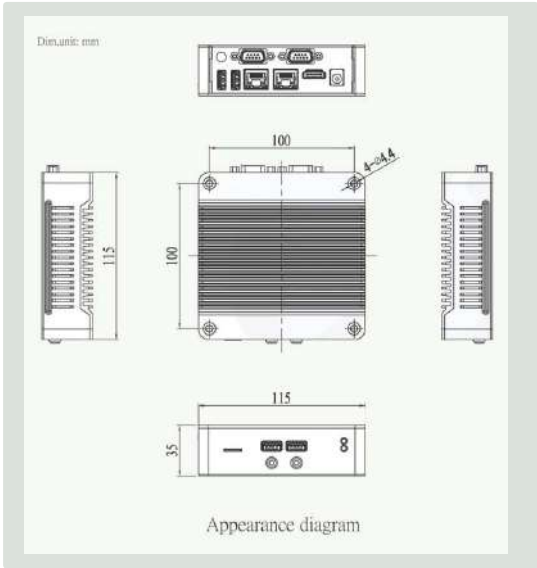


### Interact signage

Library signage system  
 Maps and virtual tours  
 Digital menu boards  
 Touchscreen menu

**Legacy to Modern! Compatible with multiple OSs**  
**DOS, Win7, Win10, Win11, Linux, QNX, VxWorks, and Android-x86**  
**with UEFI and Legacy BIOS support.**  
**It can also function as a Micro Server, SQL Server, Web Server, and IoT Server**

- RS-232 x4
- RS-485 x2 — RS-232 x2
- RS-232 x2
- HDMI
- Audio out & Mic in
- LAN x1 or LAN x2
- USB 3.0 x4
- WiFi/BT module — M.2 E Key Socket
- 2.5" SATA HDD
- 2.5" SATA SSD
- SATA Slim DOM
- Micro SD
- TPM 2.0
- +8V~+26V DC in
- Auto Power On
- PXE diskless boot
- VESA 100x100mm
- DIN Rail



# EBOX Apollo Lake Intro

Fanless PC equipped with Intel® Apollo Lake N3350 Dual-core or J3455 Quad-core processors. With memory support up to 8GB DDR3L, this compact pc offers a wide array of features, including Multi-Display outputs, Multi-COM, and Dual GLAN connectivity.

Its real-time computing capabilities enable seamless performance in fields such as digital surveillance, advancements in industrial and office automation, energy-efficient solutions for retail and medical sectors, It's an ideal platform for IoT, M2M communication, Industry 4.0, Home Automation Security, Point-of-Sale systems, and Public Transportation management, and much more.

## EBOX-AL Series



### Features:

- Multi-Display outputs, Dual GLAN
- RS-232/485/422 switchable
- Full size/Half size mPCIe
- Fanless design/DIN Rail support
- 100 x 100mm VESA support

Operating Temp.: 0~60°C/-20~+60°C

Dimensions: 115 x 115 x 48.5mm



Model Types	CPU	RAM	Storage	I/O	
EBOX-ALN3350 w/COM	Intel® Apollo Lake N3350 Dual-core 1.1GHz	4GB 8GB	mSATA SATA DOM	4U/2GLAN/2HDMI Audio/mPCIe/SIM	VGA
EBOX-ALN3350 w/8-bit GPIO					No VGA
EBOX-ALN3350 w/COM + 8-bit GPIO					No VGA
EBOX-ALJ3455 w/COM	Intel® Apollo Lake J3455 Quad-core 1.5GHz	4GB 8GB	mSATA SATA DOM	4U/2GLAN/2HDMI Audio/mPCIe/SIM	VGA
EBOX-ALJ3455 w/8-bit GPIO					No VGA
EBOX-ALJ3455 w/COM + 8-bit GPIO					No VGA

U=USB; GLAN=Giga LAN; SIM=SIM Card slot

## Target Applications



### Data acquisition

- Educational workstation
- Bicycle rental system
- Attendance system
- Transit payment
- Database sever



### Smart City

- Smart transportation
- Waste management
- Water management
- Smart parking
- Smart lighting



### Healthcare automation

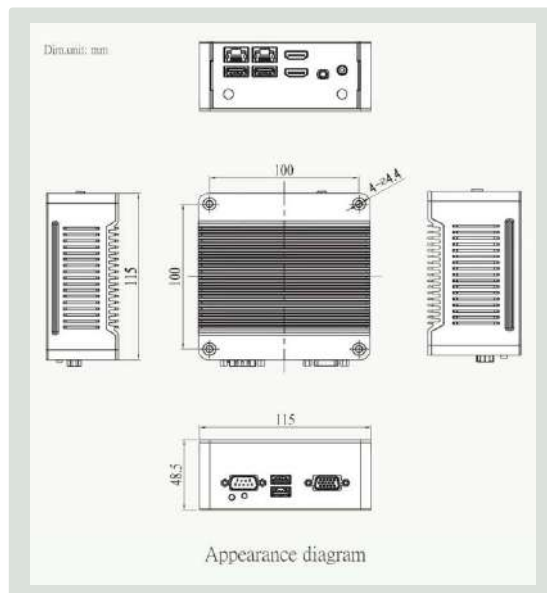
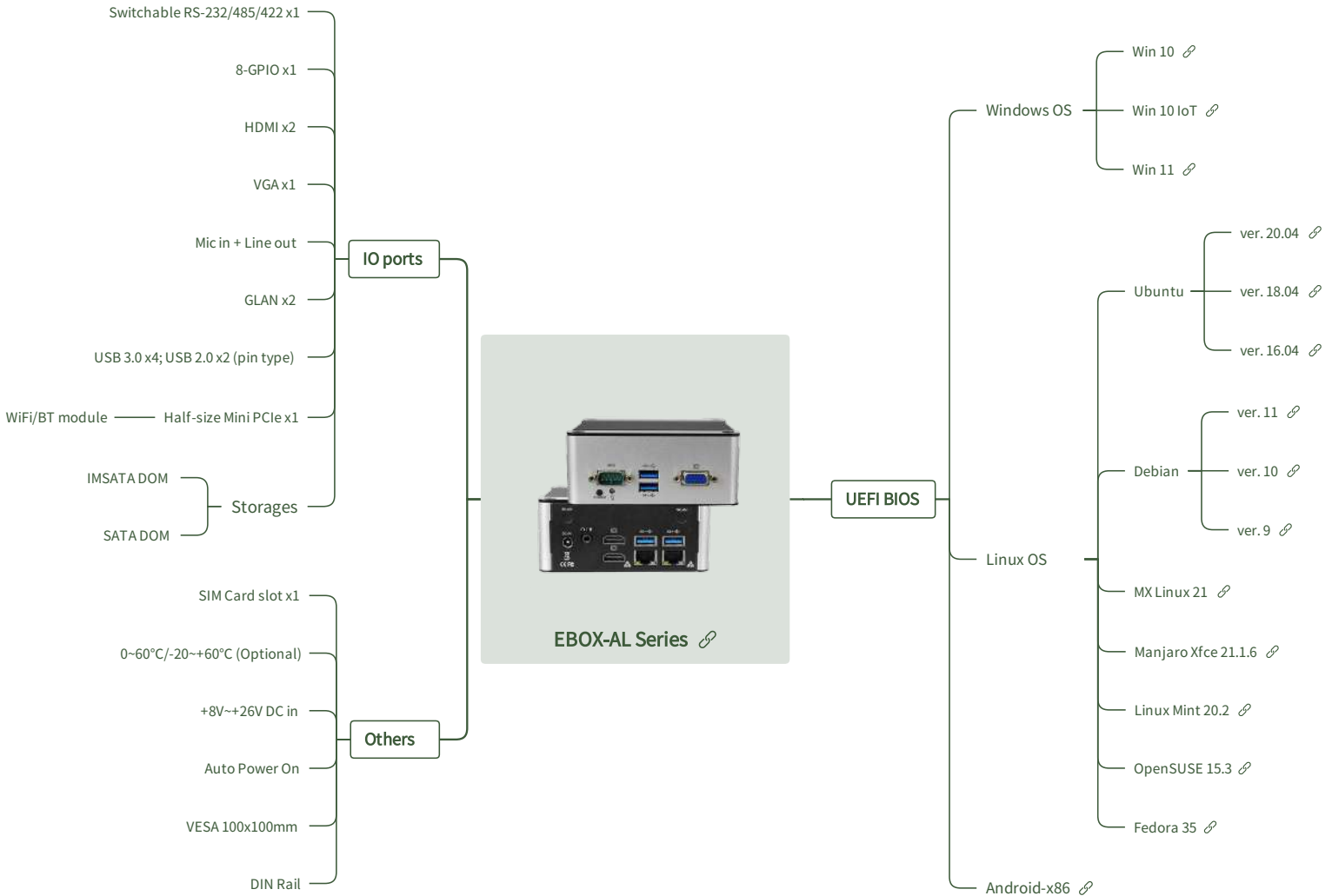
- Patient data management
- Surgeon console system
- Appointment scheduling
- Medicine dispensers
- Dialysis equipment



### Digital signage

- Product demonstrations
- Live travel information
- Display advertising
- Transport schedule
- Emergency alerts

Embedded with an Intel® Apollo Lake N3350 Dual-core or J3455 Quad-core CPU. Support multiple OSs includes Win10, Win10 IoT, Win11, Linux, and Android-x86. Suitable for IoT, M2M, Industry 4.0, Home Automation Security, Point-of-sales, Public transportation and many more.



# EBOX-IMX8MM Intro

EBOX-IMX8MM Series is a small form factor fanless embedded PC based on NXP i.MX8M Mini ARM Cortex-A53 processor. 1GB to 4GB LPDDR4 RAM, eMMC from 8GB to 64GB, WiFi/BT onboard, Rich I/O RS-232/RS-485 x2 ports, console x1 port, Dual Giga LAN, VESA mount, DIN Rail, Wide Temperature range -40~+80°C and Auto Power On support. OS support Android 10, 9; Yocto 4.0, 3.3, 3.0, 2.5 and Mainline Linux kernel etc.

It offers high performance with low power consumption, flexible options for memory and high-speed interfaces, as well as industry-leading audio and video capabilities. It can be used in any general purpose industrial and IoT applications.

## EBOX-IMX8MM Series



### Features:

- 2GB/4GB LPDDR4, 16GB/64GB eMMC onboard
- 2GLAN, Dual RS-232/485
- Auto Power On support
- Fanless design/DIN Rail support
- 100 x 100mm VESA support

**Operating Temp.:** 0~60°C/-40~+80°C

**Dimensions:** 115 x 115 x 35mm



### Model Types

### CPU

### RAM

### Storage

### I/O

EBOX-IMX8MM  
w/Dual RS-232/485

EBOX-IMX8MM  
w/Dual RS-232/485, WiFi & BT

EBOX-IMX8MM  
w/Dual RS-232/485, Dual GLAN

EBOX-IMX8MM  
w/Dual RS-232/485, Dual GLAN, WiFi & BT

EBOX-IMX8MM  
w/Wide Temp.

2S/3U/GLAN/HDMI/CON  
Mic-in/Line-out/mPCIe

2S/3U/2GLAN/HDMI/CON  
Mic-in/Line-out/mPCIe

Available for all model types

S=RS-232/485; U=USB; GLAN=Giga LAN; CON=Console

## Target Applications



### Video Surveillance

- Tsunami warning system
- Fire alarm system
- Monitoring system
- Security system
- Access control



### Smart Home

- Smart Curtains System
- Security automation
- Lighting automation
- Remotely control
- Climate control



### Self-Service Kiosk

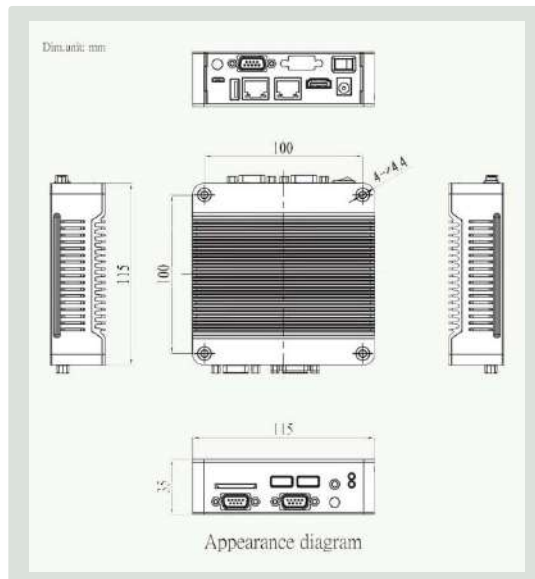
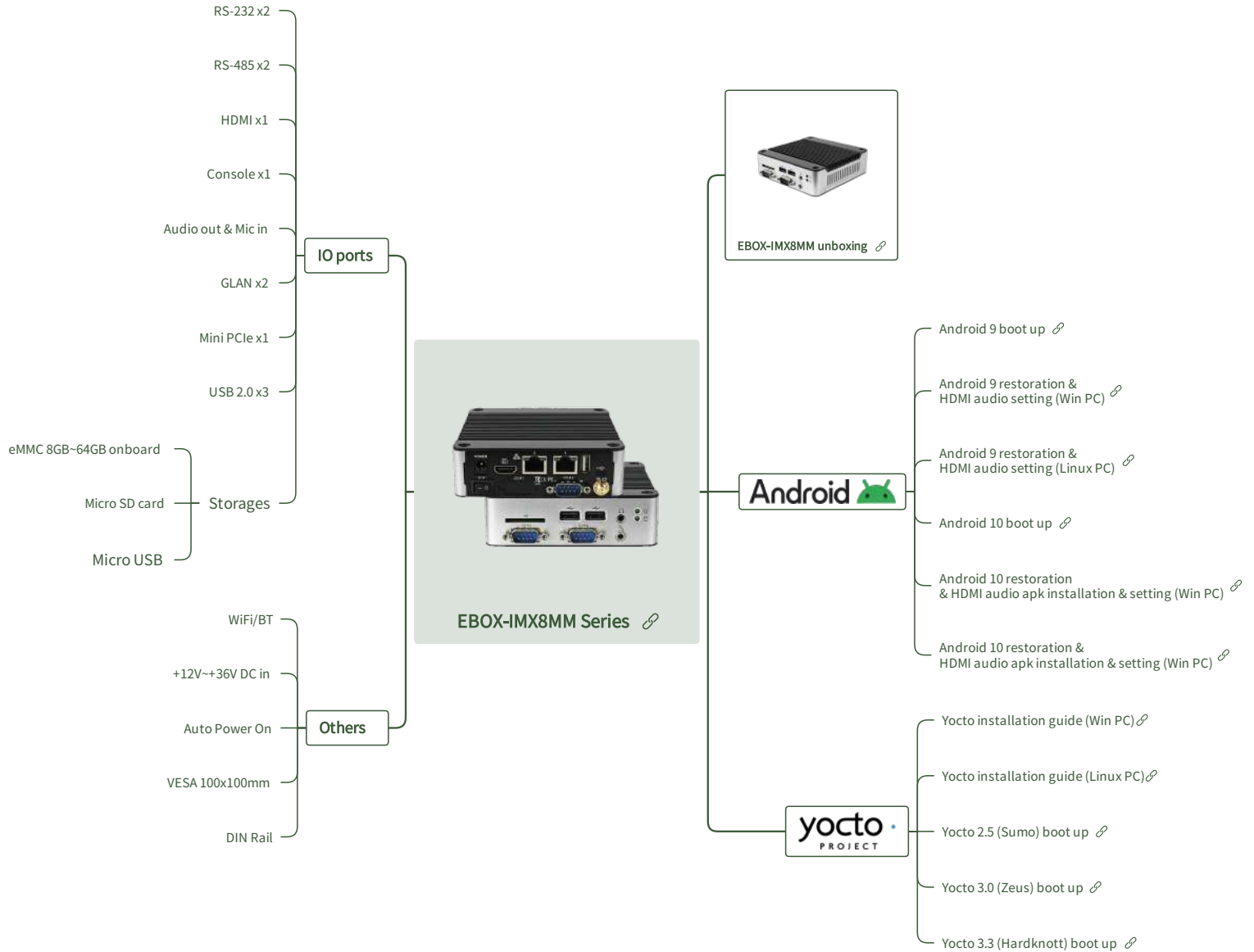
- Self ordering machines
- Kitchen display system
- Check-in system
- Payment system
- POS system



### Entertainment system

- Gambling system
- Interactive Gym
- Music streamer
- Gaming Kiosks
- Jukebox

The i.MX8M Mini is NXP's first embedded multi-core applications processor brings high-performance computing, power efficiency, enhanced system reliability and embedded security needed to drive the growth of fast-growing edge computing, streaming multimedia, and machine learning applications.



## EBOX-335xDX3 Series



### Features:

Dual-core SoC onboard  
GLAN, Internal SD slot (optional)  
Auto Power On/PXE Diskless Boot  
Fanless design/DIN Rail support  
75 x 75mm VESA support  
10 years life cycle



**Operating Temp.:** 0~60°C/-20~+70°C

**Dimensions:** 95 x 95 x 20mm/95 x 95 x 35mm

Model Types	CPU	RAM	Storage	I/O
EBOX-335xDX3				2S/3U/LAN/VGA/ Mic-in/Line-out
EBOX-335xDX3 w/Wide Temp.			SD	
EBOX-335xDX3 w/1G LAN	Vortex86DX3 Dual-core 1GHz	1GB 2GB		2S/3U/GLAN/VGA/ Mic-in/Line-out
EBOX-335xDX3 w/1G LAN & Wide Temp.				
EBOX-335xDX3-RCA			SATA DOM/Micro SD eMMC (optional)	3U/LAN/HDMI/VGA/Mic-in/Line-out mPCIe/RCA jack

## DIN PC-336x Series



### Features:

Dual-core SoC All-in-One Module  
GLAN, RS-232/485/422/GPIO  
Auto Power On/PXE Diskless Boot  
Fanless design/DIN Rail support  
10 years life cycle



**Operating Temp.:** 0~60°C/-20~+70°C

**Dimensions:** 151.7 x 103 x 53.3mm

Model Types	CPU	RAM	Storage	I/O
DIN PC-336x w/RS-232				
DIN PC-336x w/RS-485				4S/2U/GLAN/LAN/VGA
DIN PC-336x w/RS-422	Vortex86DX3 Dual-core 1GHz	1GB 2GB	SATA DOM* SD (Internal)	
DIN PC-336x w/8-bit GPIO x2				2S/2U/GLAN/LAN/VGA/16GPIO
DIN PC-336x w/Mic-in & Line-out				Available for all model types

## EBOX-336x Standard Series



### Features:

Dual-core SoC All-in-One Module  
Multiple RS-232/485/422/GPIO/CANbus  
Auto Power On/PXE Diskless Boot  
Fanless design/DIN Rail support  
100 x 100mm VESA support  
10 years life cycle



Operating Temp.: 0~60°C/-20~+70°C  
Dimensions: 115 x 115 x 35mm

Model Types	CPU	RAM	Storage	I/O
EBOX-336x w/HDMI				4S/3U/GLAN/LAN/CAN/HDMI Line-out/Mic-in/mPCIe//16GPIO
EBOX-336x w/RS-232				
EBOX-336x w/RS-485	Vortex86DX3 Dual-core 1GHz	1GB 2GB	SATA DOM* SD/mPCIe	4S/3U/GLAN/LAN/CAN/VGA Line-out/mPCIe/16GPIO
EBOX-336x w/RS-422				
EBOX-336x w/RS-485 x3, x4				4S/3U/GLAN/LAN/CAN/VGA Line-out/Mic-in/mPCIe

## EBOX-336x Special Series



### Features:

Dual-core SoC All-in-One Module  
Multiple LANs & COM ports  
SATA, SD, CF, mPCIe, LPT, 4G LTE  
Auto Power On/PXE Diskless Boot  
Fanless design/DIN Rail support  
100 x 100mm VESA support  
10 years life cycle



Operating Temp.: 0~60°C/-20~+70°C  
Dimensions: 115 x 115 x 35mm

Model Types	CPU	RAM	Storage	I/O
EBOX-336x w/4G LTE			SATA DOM SD	4S/3U/LAN/CAN/VGA Line-out/mPCIe/SIM
EBOX-336x w/8-bit GPIO x2			SATA DOM* SD/mPCIe	2S/3U/GLAN/LAN/CAN/VGA Line-out/mPCIe/16GPIO
EBOX-336x w/Multi LAN	Vortex86DX3 Dual-core 1GHz	1GB 2GB	SATA DOM SD/mPCIe	4S/4U/2GLAN/LAN/CAN/VGA Mic-in/Line-out/mPCIe/16GPIO
EBOX-336x w/Legacy I/O			SATA DOM SD/CF	3S/3U/GLAN/LAN/LPT/VGA/Line-out